

Digimatic Indicators

Comparison measuring instruments which ensure high quality, high accuracy and reliability.

ABSOLUTE Digimatic Indicator ID-C SERIES 543 — Signal Output Function Type

- With the max./min. value holding function, this indicator can output the signal of the GO/±NG judgement result against the peak value set. In contrast to conventional electro-mechanical systems, the judgement is made and indicated by electronic processing of the measurement data obtained. This provides high reliability as there are no electrical contact points to deteriorate.
- Employing Mitutoyo's ABSOLUTE Linear Encoder, the Signal ID-C always displays the spindle "Absolute Position" from the origin at power-on. Also, the reliability has been increased due to the elimination of over-speed errors.
- The judgment signal can be output to an external device, such as a sequencer
- Provided with a 4m cable.
- External power DC 12 – 24V.
- Dust-water protection level: Conforms to IP54

*1 Regarding the origin setting, refer to "Origin Setting of Digimatic Indicators" on page F-18.



SPECIFICATIONS

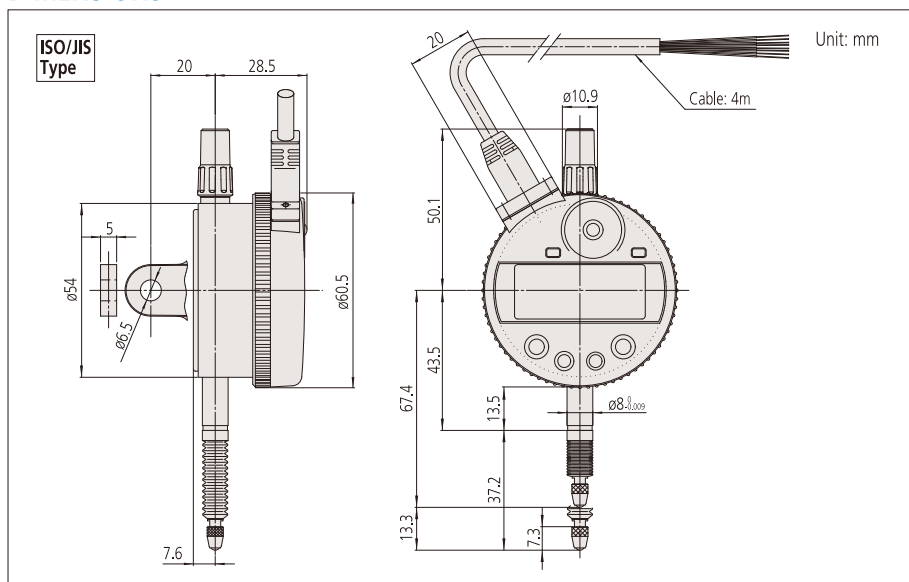
Metric		ISO/JIS type					ANSI/AGD type				
Order No. (w/ lug, flat-back)	Resolution	Range	Accuracy*	Measuring force	Remarks	Order No. (w/ lug, flat-back)	Resolution	Range	Accuracy*	Measuring force	Remarks
543-280	0.001mm	12.7mm	0.003mm	2.0N or less	—	543-280B	0.001mm	12.7mm	0.003mm	2.0N or less	—

Inch/Metric		ISO/JIS type					ANSI/AGD type				
Order No. (w/ lug, flat-back)	Resolution	Range	Accuracy*	Measuring force	Remarks	Order No. (w/ lug, flat-back)	Resolution	Range	Accuracy*	Measuring force	Remarks
543-281	.00005"/0.001mm	.5"	.00012"	2.0N or less	—	543-281B	.00005"/0.001mm	.5"	.00012"	2.0N or less	—
543-282	.00005"/0.001mm	.5"	.00012"	2.0N or less	—	543-282B	.00005"/0.001mm	.5"	.00012"	2.0N or less	—
543-283	.0005"/0.01mm	.5"	.00012"	2.0N or less	—	543-283B	.0005"/0.01mm	.5"	.00012"	2.0N or less	—

Notes:

- 1) LCD readout does not rotate.
 - 2) Max./min. holding: sample rate is 50 readings/sec; max. rate of change of reading is 50µm/sec.
 - 3) Products with an Order No. suffixed "B" have a flat back
 - 4) Standard contact point: **901312** (ISO/JIS type), **21BZA005** (ANSI/AGD type)
- * Quantizing error of ±1 count is excluded.

DIMENSIONS



Note 1: Dimensions of the inch (ANSI/AGD Type) dial indicator partly differ from those of the metric (ISO/JIS Type) indicator.

Note 2: Inch (ANSI/AGD Type) dial indicators are provided with a stem of 3/8" dia. and #4-48UNF thread mount for the contact point.

ABSOLUTE™ (Refer to page IX for details.)

Functions

Signal output (–NG/OK/+NG, NPN open collector), Remote control (hold–reset, preset–recall, zero–set), Preset, Zero set, GO/±NG judgment, Max/Min/Runout value holding, Counting direction switching, Power ON/OFF, inch/mm conversion (inch/mm models)

Alarm: Counting value composition error, Overflow error, Tolerance limit setting error

Optional accessories

Spindle lifting lever (ISO/JIS type) : **902011***4

Spindle lifting lever (ANSI/AGD type) : **902794***4

Spindle lifting cable: **540774***4

Rubber boot: **02ACA376**

Contact points for Mitutoyo's dial indicators*5

Interchangeable backs for Series 2 models*6

Note: Use the waterproof types of Series 2 for plain backs. Measuring stands

*4 Dust-water protection is not guaranteed.

*5 Refer to pages F-46 to F-49 for details.

*6 Refer to page F-50 for details.

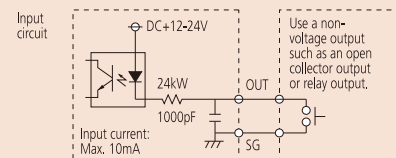
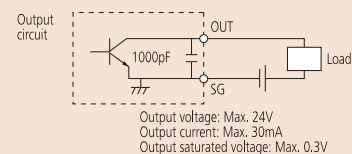
Output pattern

Wire	– NG	OK	+ NG	Composition error
Orange (– NG)	Low	High	High	High
Green (OK)	High	Low	High	High
Brown (+ NG)	High	High	Low	High
LED	Red	Green	Red	Red (blinking)
LCD	<	0	>	"x.xx E" indication

I/O Specifications

Wire	Signal	I/O	Description
Black	– V (GND)	—	Connected to minus (–) terminal
Red	+ V	I	Power supply (12 – 24VDC)
Orange	– NG	O	Tolerance judgment
Green	OK	O	result output: Only the terminal corresponding to a judgment result is set to the low level.
Brown	+ NG	O	result output: Only the terminal corresponding to a judgment result is set to the low level.
Yellow	PRESET_RECALL ZERO	I	External input terminal: If the relevant terminal is set to the low level, its signal becomes true.
Blue	HOLD_RESET	I	External input terminal: If the relevant terminal is set to the low level, its signal becomes true.
Shield	FG	—	Connected to GND (The earth)

Note: Measurement data cannot be output.



F